

 **FLOAT VALVE zFLO**



Body material	Nominal pressure	Nominal diameter	Max. temperature
<b>A</b> Grey cast iron	<b>B</b> 10 bar	DN <b>25-200</b>	90°C

**FEATURES**

- high tightness (leakproofness class - A acc. to EN - 12266 - 1)
- environment-friendly
- no maintenance
- flanges drilled according to EN 1092-2
- face-to-face dimension according to EN 558-1 series 8

**APPLICATION**

media



INDUSTRIAL  
WATER



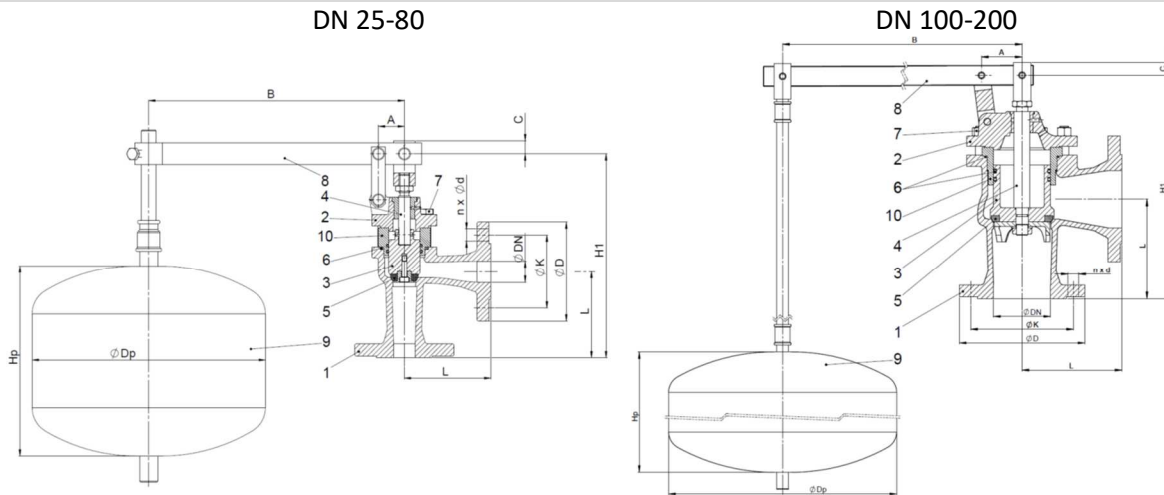
NEUTRAL FLUIDS

Data given can be changed without notice.

Edition 01/2018

FIG.274

**MATERIALS, DIMENSIONS**



Body material		A
Type		16
1	Body	EN-GJL-250 5.1301 (ex. JL1040)
2	Cover	EN-GJL-250 5.1301 (ex. JL1040)
3	Disc	X20Cr13 1.4021
4	Stem	X20Cr13 1.4021
5	Disc gasket	EPDM
6	Packing ring	EPDM
7	Hexagon bolt	5.6 – A3A
8	Lever	S235JR Zinc
9	Float	S235JR Epoxide
10	Piston sleeve	CuZn39Pb2 (CuSn11P-C for DN ≥ 100)
Max. temperature		90°C

DN	25	32	40	50	65	80	100	125	150	200
L (mm)	100	105	115	125	145	155	175	200	225	275
A (mm)	30	30	35	35	45	55	71	87	102	138
B (mm)	700	700	700	700	700	800	975	1190	1305	1590
C (mm)	15	15	15	15	15	15	25	25	25	25
H1 (mm)	236	244	262	277	341	352	395	480	550	620
Hp (mm)	220	220	200	200	250	250	300	300	300	400
Dp (mm)	270	270	350	350	400	400	400	500	500	500
K <sub>vs</sub> (m <sup>3</sup> /h)	16,0	22,3	33,1	53,3	88,6	139,2	217,2	301,7	424,2	715,8
Weight (kg)	9,5	10,7	15,0	20,0	26,0	29,0	37,0	54,0	81,0	130,0

Data given can be changed without notice.

Edition 01/2018

ZETKAMA Sp. z o.o.  
Ul. 3 Maja 12  
PL 57-410 Ścinawka Średnia

Tel. +48 74 8652 193  
Tel. +48 74 8652 111  
Fax +48 74 8652 199

E-mail export@zetskama.com.pl  
www.zetskama.com

**PRESSURE-TEMPERATURE RATINGS**

Acc. EN 1092-2	PN		-10°C ÷ 90°C
EN-GJL-250	10	bar	10

**FLANGE DIMENSIONS ACC. PN-EN 1092-2**

DN		25	32	40	50	65	80	100	125	150	200
PN10	D (mm)	115	140	150	165	185	200	220	250	285	340
	K (mm)	85	100	110	125	145	160	180	210	240	295
	n x d (mm)	4x14	4x19	4x19	4x19	4x19	8x19	8x19	8x19	8x23	8x23

Data given can be changed without notice.

Edition 01/2018

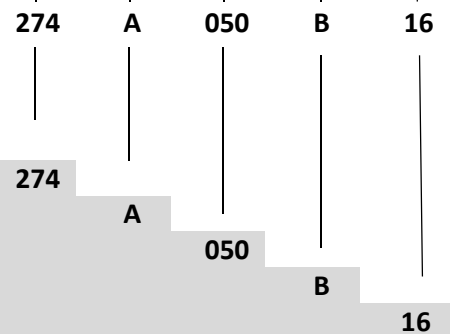
**TYPE**

Figure	Body material	Nominal diameter	Nominal pressure	Type
274	A Grey cast iron EN-GJL-250	25-200 mm	B 10 bar	16 stem, disc, seat ring - stainless steel; disc ring of EPDM
				16-D stem, disc, seat ring - stainless steel; disc ring of EPDM; epoxyd painted

**ORDERING**

Figure	Body material	Nominal diameter	Nominal pressure	Type
274	A Grey cast iron EN-GJL-250	15-200 mm	B 10 bar	16 stem, disc, seat ring - stainless steel; disc ring of EPDM

**Order example acc. index**



Float valves; ends flange, form angle  
 Grey cast iron EN-GJL-250  
 Nominal diameter (mm)  
 Nominal pressure PN 10  
 Stem, disc, seat ring - stainless steel; disc ring of EPDM

Data given can be changed without notice.

Edition 01/2018

