



DRV 730-D
Type A (DN 15 - DN 32)



DRV 730-D
Type B (DN 40 - DN 50)



Media

The pressure reducers are particularly suitable for use with hot water and steam, but can also be used in the case of aggressive water and other aggressive liquids. They are also suitable for air and neutral gases when larger flow rates are required.

**Pressure reducing valve
Female thread • Steam
Stainless steel**

Pressure reducing valves of the series are piston-controlled, spring-loaded pressure reducing valves. These valves are inlet pressure relieved.

DGRL 2014/68/EU **CE**

Classification societies

- DNV GL
- LR
- BV
- ABS
- CCS

Customs tariff number

84811005



Features

- pressure relieved single seated valve
- piston-controlled
- continuously adjustable outlet pressure
- max. inlet pressure up to 16 bar
- outlet pressure: 0,3 - 2 bar
- female thread acc. ISO 228, optionally with NPT-thread
- replaceable inner parts
- double-ended G 1/4" manometer fitting (for outlet pressure)
- assembly position: any desired, preferably vertical
- minimum pressure difference (inlet/outlet pressure): 1 bar

Pressures



max. 16 bar



0,3 - 2 bar

Connections



Female thread
acc. ISO 228
from G 1/2" up to G 2"

Materials



Temperatures

Various options in the area of seals and wetted internal parts allow a maximum temperature of up to 200°C.



from -30 °C up to +200 °C

Seals and temperatures

PTFE/ EPDM - 30°C to +150°C
PTFE/ EPDM/ FEPM +20°C to +200°C



steam up to 150°C

body
stainless steel
1.4408

spring bonnet

stainless steel 1.4408

seals

PTFE/ EPDM

wetted parts

stainless steel 1.4404

max.
temperature

150°C



steam up to 200°C

body
stainless steel
1.4408

spring bonnet
stainless steel 1.4408

seals
PTFE/ EPDM/
FEPM

wetted parts
stainless steel 1.4404

max.
temperature
200°C



Technical data

nominal size	15	20	25	32	40	50
G	1/2"	3/4"	1"	1 1/4"	1 1/2"	2"

Type

A

B

Pressures

max. inlet pressure [bar]

max. 16 bar



DRV 730-D

16

16

outlet pressure [bar]

0,3 - 2 bar



DRV 730-D

0,3 - 2

0,3 - 2

Connections

dimensions [mm]

female thread
from G 1/2" up to G 2"



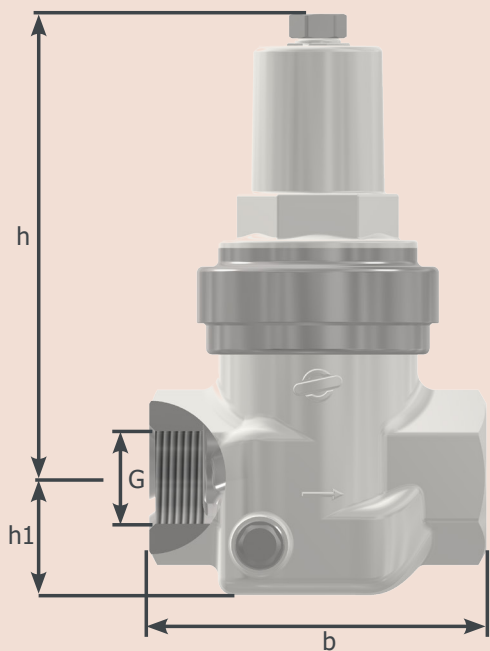
	G	1/2"	3/4"	1"	1 1/4"	1 1/2"	2"
DRV	b	95	95	110	120	150	160
730-D	h1	29	29	38	38	38	38
	h	150	150	151	151	262	262

weight [kg]

DRV 730-D	2,3	2,3	3,1	3,0	8,6	8,5
-----------	-----	-----	-----	-----	-----	-----

kvs-value [m³/h]

all types	3,0	3,3	4,5	4,7	11,3	12,0
-----------	-----	-----	-----	-----	------	------





Article number

nominal size	15	20	25	32	40	50
G	1/2"	3/4"	1"	1 1/4"	1 1/2"	2"

steam up to 150°C

DRV 730-D	073002-000A0	073003-000A0	073004-000A0	073005-000A0	073006-000A0	073007-000A0
-----------	--------------	--------------	--------------	--------------	--------------	--------------

steam up to 200°C

DRV 730-D	073002-000B0	073003-000B0	073004-000B0	073005-000B0	073006-000B0	073007-000B0
-----------	--------------	--------------	--------------	--------------	--------------	--------------

Standard article numbers are 6 digits, article numbers for additional options are 11 digits. (See next page for an overview of options)

Manometer

diameter	connection	body	pressure range	max. temp.	art.no.
63 mm	G 1/4", central back	stainless steel	0 - 10 bar	200°C	009014



Options

CC - connection

00 -	ISO 228	standard
30 -	NPT - ASME B1.20.1	

M - materials wetted parts

0 -	stainless steel 1.4404	standard
-----	------------------------	----------

E - elastomers

A -	PTFE/ EPDM	steam up to 150°C
B -	PTFE/ EPDM/ FEPM	steam up to 200°C

F - finishes

0 -	without additional finishes
-----	-----------------------------

Configuration example of an article number with additional options

inlet pressure: 3 bar
seals: PTFE/EPDM/FEPM

outlet pressure: 1,5 bar
temperature: 160 °C

connection: 2" NPT
without additional finishes

art. no. standard version						-	C	C	M	E	F
0	7	3	0	0	7	-	3	0	0	B	0